

Technical Sheet

Heat recovery appliance Renovent Excellent 180 (Plus)



BRINK

The Brink Renovent Excellent is a heat recovery ventilation unit with an efficiency of 95%, a maximum ventilation capacity of 180 m³/h and low-energy fans.

Features Renovent Excellent 180:

- steplessly adjustable air flowrates through a control panel;
- filter indication on the appliance and the possibility for filter indication on the multiple switch;
- a frost protection system which ensures that also at low outdoor temperatures the appliance's performance remains optimal and that, if necessary, it activates the standard preheater;
- low sound level;
- comes as standard with automatic bypass function
- constant flow control;
- low energy consumption
- high efficiency

The Renovent Excellent 180 is available in two types:

- **“Renovent Excellent 180”**
- **“Renovent Excellent 180 Plus”**

Compared to the standard Renovent Excellent 180, the Renovent Excellent 180 Plus has a more extensive control board which increases the connection options.

These installation instructions describe both the standard Renovent Excellent 180 and the Renovent Excellent 180 Plus. The Renovent Excellent (Plus) is available in a left-handed or right-handed version. A left-handed version has the filters on the left behind the filter plugs; a right-handed version has the filters on the right behind the filter plugs. The position of the air ducts differs for these two versions! For the correct position of the connection ducts and dimensions see page 5.


When ordering an appliance always state the correct type; subsequent conversion to a different version is not possible.

The Renovent Excellent 180 comes ready to plug in with a 230 V mains plug and a connection for a low-voltage multiple switch on the outside of the appliance.

Version types Renovent Excellent 180

Type	Version L or R	Position air ducts	Power supply	Type code
Renovent Excellent 180	Left-handed version	4 top connections	Power plug	4/0 L
	Right-hand version	4 top connections	Power plug	4/0 R
Renovent Excellent 180 Plus	Left-handed version	4 top connections	Power plug	4/0 L+
	Right-handed version	4 top connections	Power plug	4/0 R+

Technical information

	Renovent Excellent 180			
Supply voltage [V/Hz]	230/50			
Protection degree	IP30			
Dimensions (w x h x d) [mm]	560 x 600 x 315			
Duct diameter [mm]	Ø 125			
External diameter condensate discharge [mm]	Ø 20			
Weight [kg]	25			
Filter class	G3 (F6 optional)			
Fan setting (factory setting)		1	2	3
Ventilation capacity [m³/h]	50	75	100	150
Permissible resistance ducts system [Pa]	7 - 15	21 - 35	36 - 62	73 - 139
Rated power [W]	13 - 14	20 - 22	28 - 34	56 - 74
Rated current [A]	0.12 - 0.14	0.19 - 0.20	0.26 - 0.29	0.51 - 0.62
Max. Rated current [A]	1.48			
Cos φ	0.44 - 0.46	0.45 - 0.49	0.47 - 0.51	0.48 - 0.52

Packaging unit

Packaging unit per pallet
6

Warranty period

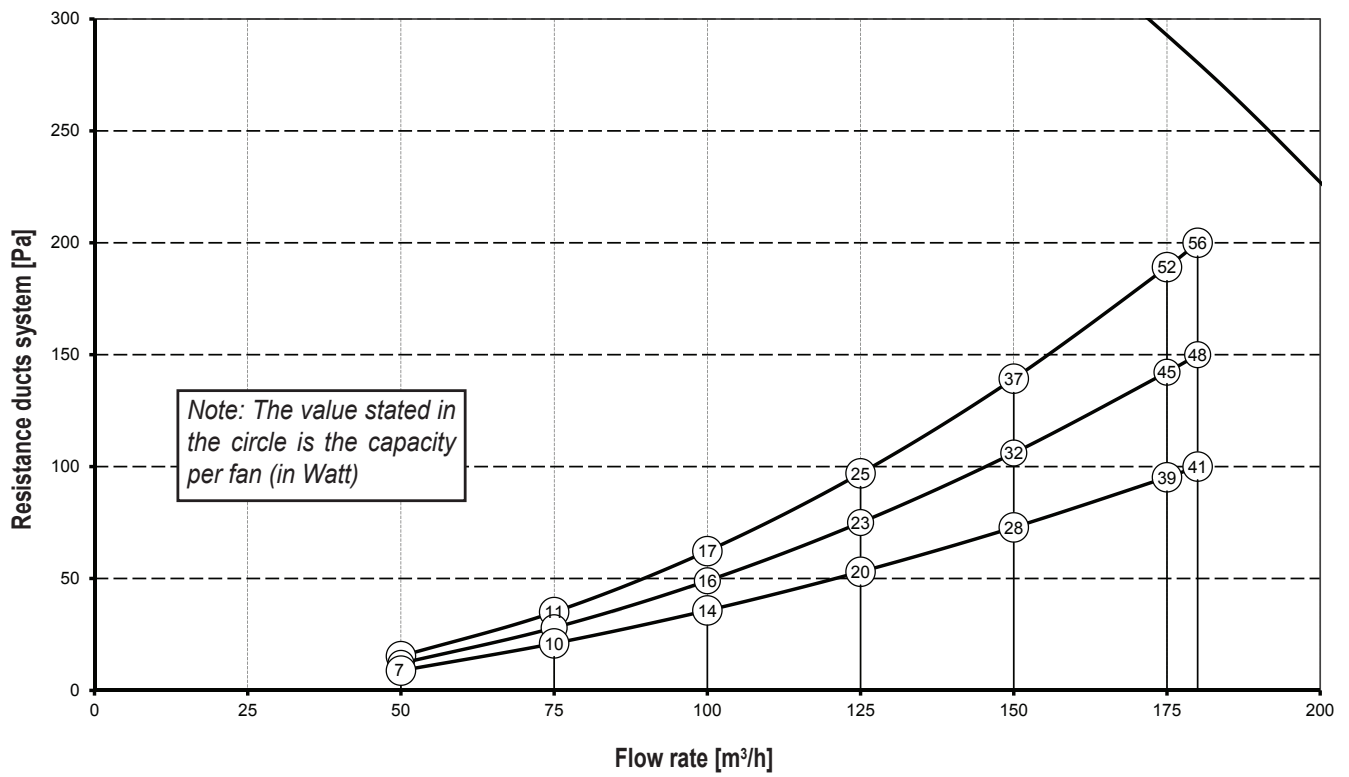
2 years on parts and 5 years on the heat exchanger.

Sound power

Sound power Excellent 180				
Ventilation capacity [m³/h]		75	100	150
Sound power level L _w (A)	Static pressure [Pa]	40	80	160
	Housing emission [dB(A)]	32	39	48
	Duct "from dwelling" [dB(A)]	31	37	45.5
	Duct "to dwelling" [dB(A)]	49	56	66

In practice, the value may deviate 1 dB(A) as a result of measuring tolerances

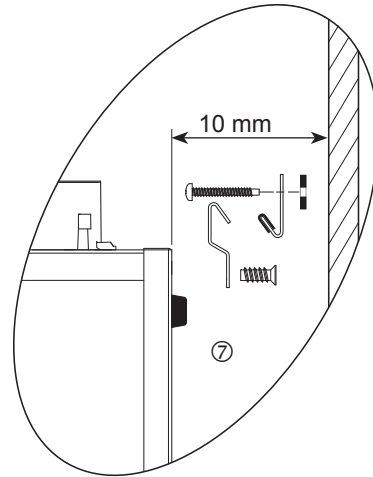
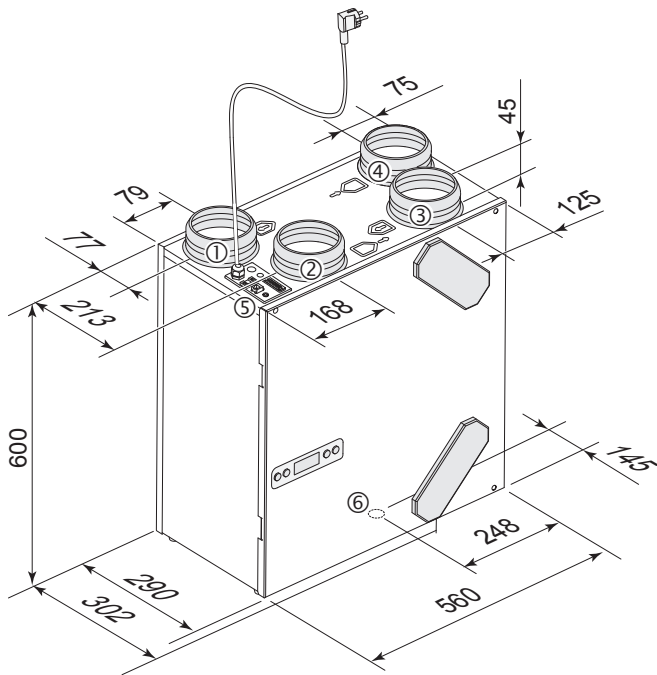
Fan graph



Fan graph Renovent Excellent 180

Connections and dimensions Renovent Excellent 180

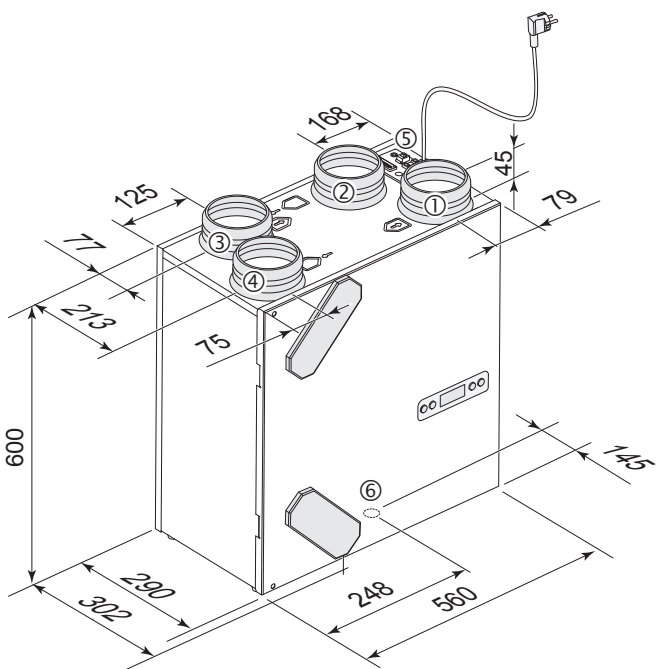
Renovent Excellent right-handed version







Placing the wall mounting kit

Renovent Excellent 180 right-handed 4/0

Renovent Excellent 180 left-handed version



- ① = To dwelling 
- ② = To atmosphere 
- ③ = From dwelling 
- ④ = From atmosphere 
- ⑤ = Electric connections
- ⑥ = Connection condensate discharge
- ⑦ = Wall mounting bracket (note the correct position of the rubber strip, washers and caps)

Renovent Excellent 180 left-handed 4/0

Exploded view

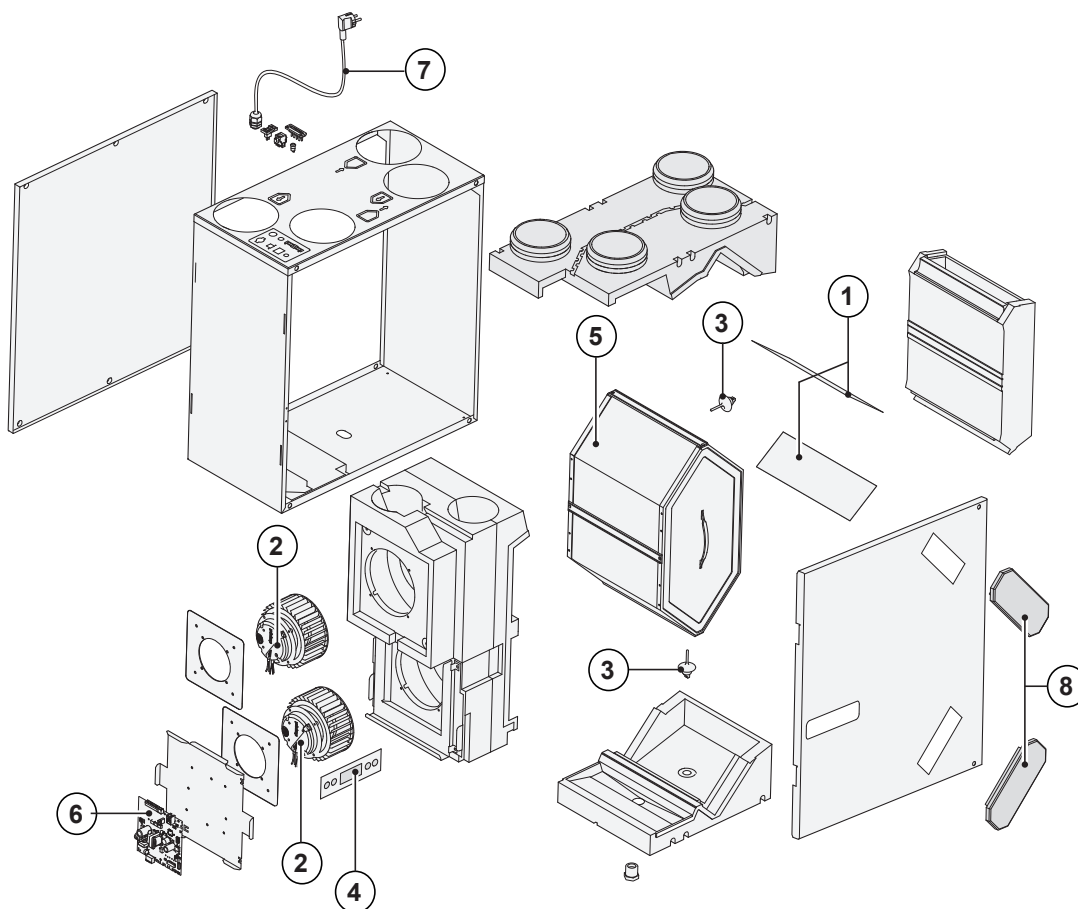
When ordering parts, in addition to the article code number (see exploded view), please state the type of the heat recovery appliance, the serial number, the year of production and the name of the part:

N. B.:

Appliance type, serial number and year of production are stated on the identification plate on the top of the appliance.

Example	
Appliance type	: Renovent Excellent 4/0 R
Serial number	: 282000134401
Year of production	: 2013
Part	: Fan
Article code	: 531618
Quantity	: 1

Service parts



No.	Article description	Article code
1	Filter kit 2x G3 filter (standard version)	531525
2	Fan Excellent 180 (1 pcs)	531618
3	Temperature sensor (1 pcs)	531775
4	Control panel	531776
5	Heat exchanger Excellent 180	531498
6	Control board (Plus version) When replacing, please note the correct dip switch settings; see §8.1	531780
7	Cord with mains plug 230 V *	531978
8	Filter plug (2 pcs)	531841

* The mains cable has a print connector.

When replacing it, always order a replacement mains cable from Brink.

To prevent dangerous situations, a damaged mains connection can only be replaced by a qualified expert.


Declaration of Conformity


DECLARATION OF CONFORMITY

Manufacturer : Brink Climate Systems B.V.
Address: R.D. Bùgelstraat 3
7951 DA Staphorst, The Netherlands
Product: Heat recovery appliance type:
Renovent Excellent 180
Renovent Excellent 180 Plus

The product described above complies with the following directives:
2006/95/EC (low voltage directive)
2004/109/EC (EMC directive)
RoHS 2002/95/EC (substances directive)

The product bears the CE label:

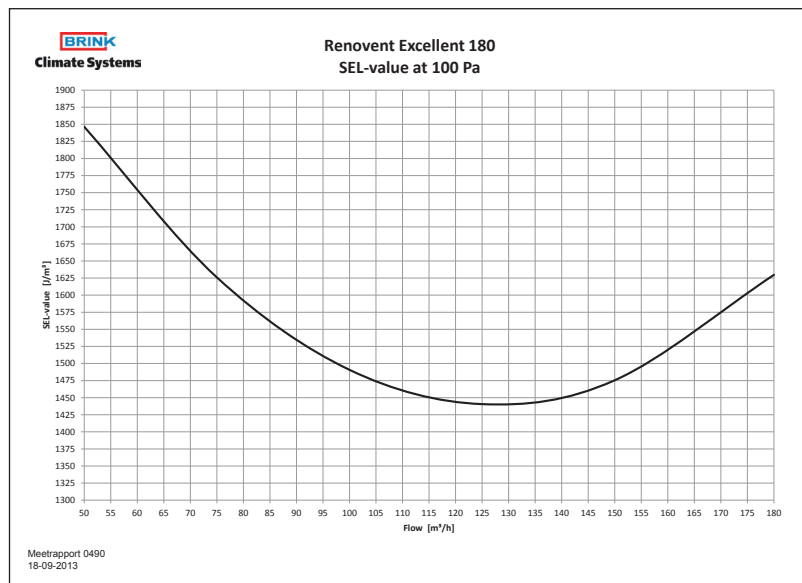


Staphorst, 24-02-13 
W. Hijmissen
Managing director

Modifications reserved
Brink Climate Systems B. V. continuously strives after improvement of products and reserves the right to change the specifications without prior notice.

38 Renovent Excellent 180

Renovent Excellent 180 - SEL-waarde 100 Pa



Modifications reserved

Brink Climate Systems B. V. continuously strives after improvement of products and reserves the right to change the specifications without prior notice.



BRINK CLIMATE SYSTEMS B.V.

P.O. Box 11 7950 AA Staphorst
Tel. +31 (0) 522 46 99 44
Fax +31 (0) 522 46 94 00
info@brinkclimatesystems.nl
www.brinkclimatesystems.nl