

# Remote control for FITT Agix Flat 30/60 and FITT Agix Panel 60/100

---

## PRODUCT INITIALIZATION

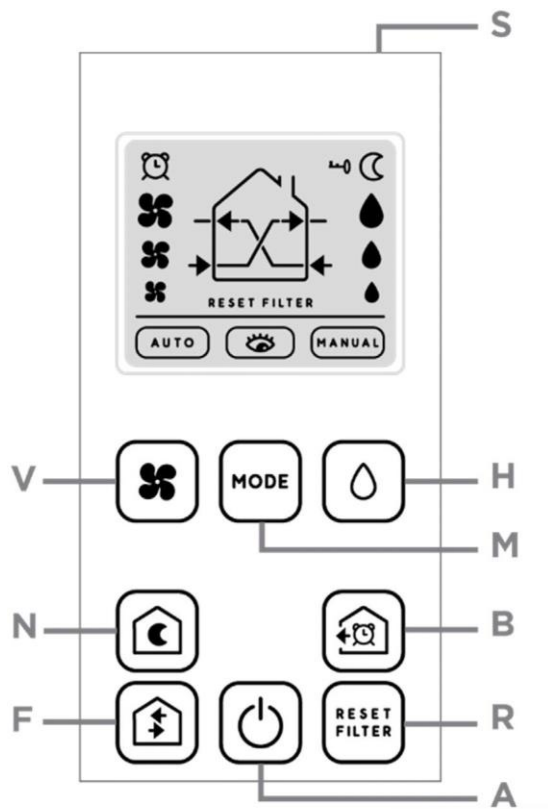
---

To start using the remote control, please insert two CR2032 3V batteries

---

## KEY GLOSSARY

---



**S** Unlock button

**V** Manual speed selection

**H** Relative humidity threshold selection

**M** Main mode selection

**N** Night mode selection

**B** Timed ejection mode selection

**F** Airflow mode selection

**R** Reset filter alarm

---

## INSTRUCTIONS FOR USE

---

To unlock the keys you will need to press the physical key (S) located in the upper area of the remote control (the key symbol will turn off) and then select one of the functions press the appropriate key. The remote control enters stand-by after 60sec of inactivity when the key icon appears, in which case you will need to press the UNLOCK (S) button at the top of the remote control to re-enable the keys.

Please refer to the "INSTALLATION, USE AND MAINTENANCE MANUAL" of the fan unit for explanation of all operation modes.

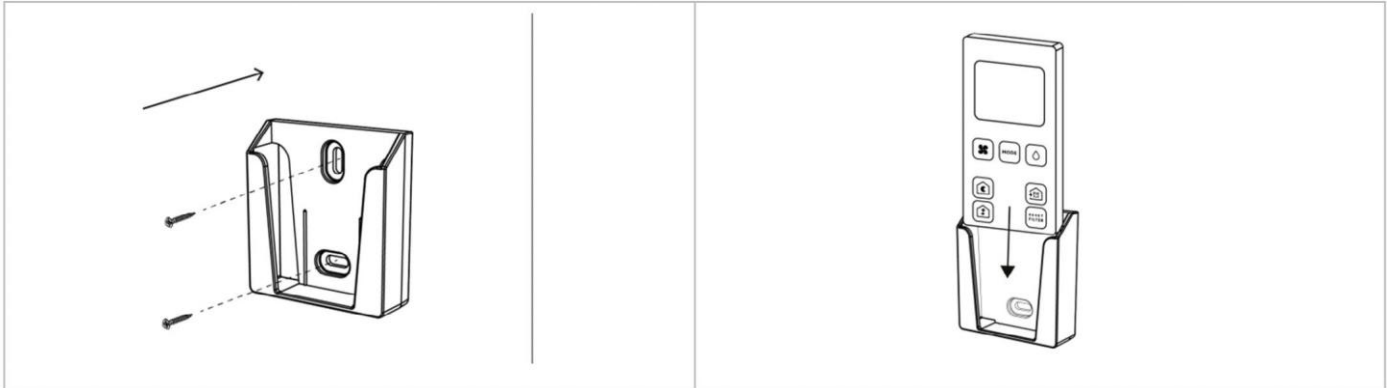
---

---

## WALL MOUNTING REMOTE CONTROL HOLDER

---

Attach the remote control holder to the wall as shown below.

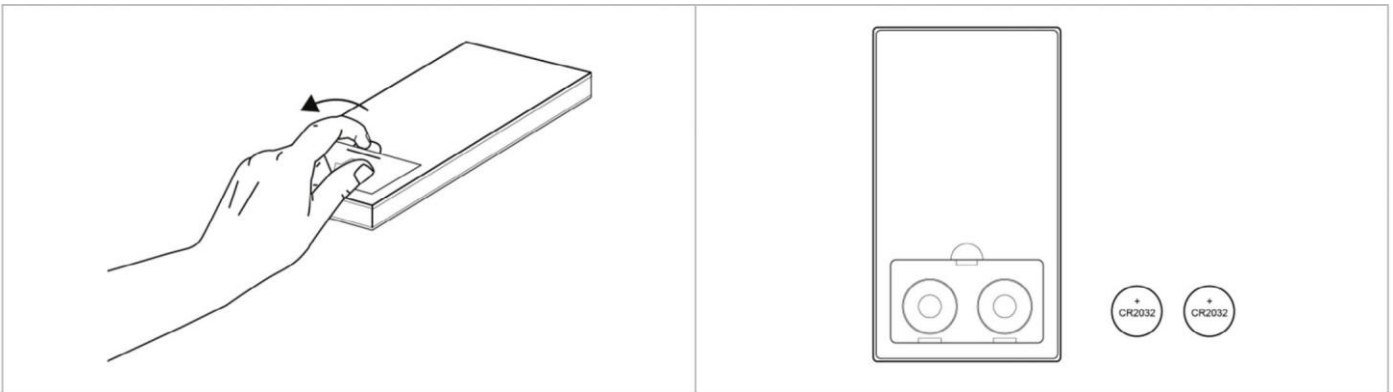


---

## REMOTE CONTROL BATTERY REPLACEMENT

---

In case the product no longer responds to commands sent from the remote control or the display appears to be off, it is necessary to replace the batteries as shown below.



The battery model to be used is CR2032 3V.

It is recommended that spent batteries be disposed of in the proper containers or as defined by your country's regulations.

---

## RECYCLING

---

This device was made from sustainable materials. Dispose of packaging responsibly and in accordance with local legal requirements.



cod. P065230001  
Vers. Sett. 2024