

extensions for external grill of wall-mounted heat recovery units flat 60

EXTENSIONS FOR EXTERNAL GRILL OF WALL-MOUNTED HEAT RECOVERY UNITS FLAT 60



extension leaf depth 10 cm - cod. **VMA60-FLATPRO1**



extension leaf depth 5 cm - cod. **VMA60-FLATPRO5**

FEATURES

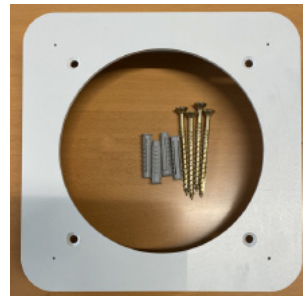
Extensions for external grille support, which can be used, for example, if the wall thickness is less than the minimum 25 cm required for the installation of FITT Agix® FLAT 60 series heat recovery units. Extensions with a depth of 10 cm and extensions with a depth of 5 cm are available.

Fixing:

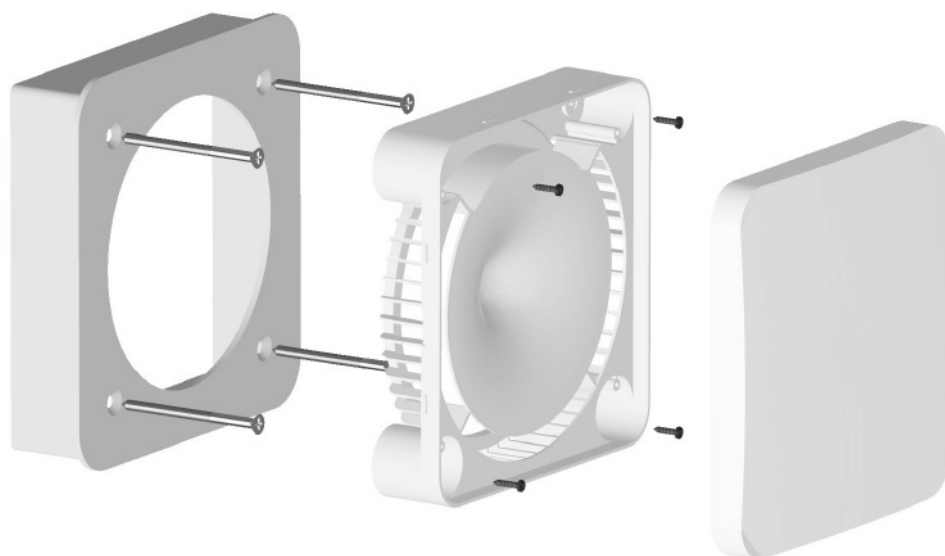
extensions are supplied with the spacer part separated from the grille attachment cover. When fastened, the spacer will fit snugly against the cover, as the cover has a slot for housing; therefore, there is no need for adhesives.

Extension components:

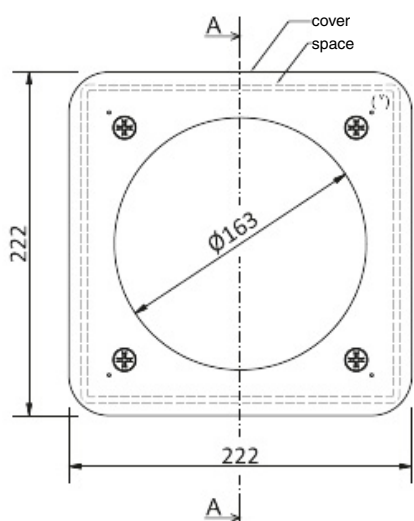
Anti-condensation PVC extension cord color gray-light RAL9035. PVC can be painted the same color as the wall. - n. 4 screws L=140 or L=100 for fixing extension to wall, including nylon plugs.



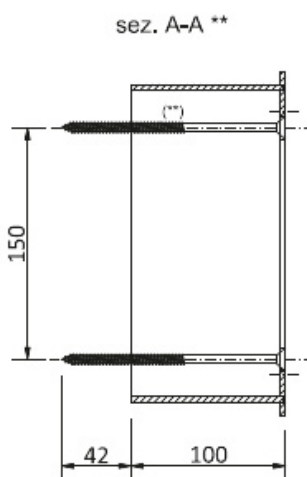
EXPLODED VIEW OF A 5-CM EXTENSION WITH ASSOCIATED BOLTS AND GRID SECTIONS OF THE FLAT 60



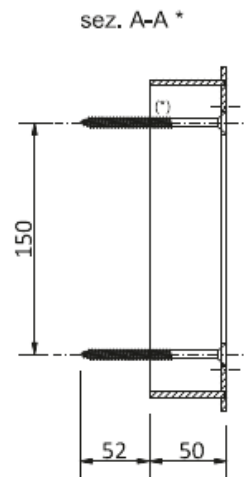
DIMENSIONAL DRAWING



Front view of extensions (measurements in mm)
 (°) Ø2 invitation holes for A60-FLAT grid fixing screws.



** extension section P=10 cm (*)
 supplied screws Ø6x140 mm



* extension section P=5 cm (*)
 supplied screws Ø5x100 mm

